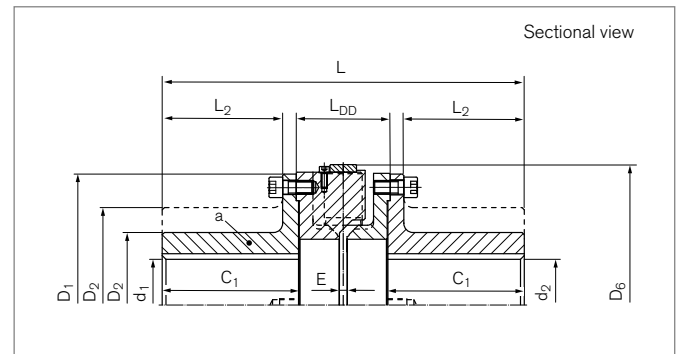
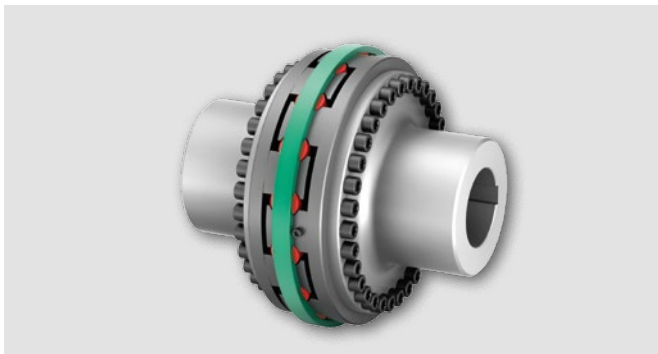


Elastomer Jaw Couplings

RINGFEDER® TNB BHDD

Combination of multi-part design coupling hubs with radially removable central section and VkR buffer



| Identifier | Size | $T_{KN}^{(2)}$ | n_{max} | d_{1kmax} | d_{2kmax} | D_1 | D_2 | D_6 |
|------------|------|----------------|-----------|-------------|-------------|-------|-------|-------|
| | | Nm | 1/min | mm | mm | mm | mm | mm |
| WB0624-A | 240 | 2500 | 4100 | 85 | 85 | 240 | 140 | 260 |
| WB0624-B | 240 | 2500 | 4100 | 100 | 100 | 240 | 150 | 260 |
| WB0630-A | 300 | 6000 | 3300 | 110 | 110 | 300 | 170 | 320 |
| WB0630-B | 300 | 6000 | 3300 | 135 | 135 | 300 | 200 | 320 |
| WB0635-A | 350 | 10500 | 2800 | 120 | 120 | 350 | 180 | 370 |
| WB0635-B | 350 | 10500 | 2800 | 170 | 170 | 350 | 250 | 370 |
| WB0640-A | 400 | 16000 | 2450 | 140 | 140 | 400 | 210 | 420 |
| WB0640-B | 400 | 16000 | 2450 | 190 | 190 | 400 | 280 | 420 |
| WB0645-A | 450 | 21000 | 2200 | 170 | 170 | 450 | 250 | 470 |
| WB0645-B | 450 | 21000 | 2200 | 205 | 205 | 450 | 300 | 470 |
| WB0650-A | 500 | 28500 | 2000 | 180 | 180 | 500 | 270 | 530 |
| WB0650-B | 500 | 28500 | 2000 | 225 | 225 | 500 | 330 | 530 |
| WB0655-A | 550 | 45000 | 1800 | 200 | 200 | 550 | 280 | 580 |
| WB0655-B | 550 | 45000 | 1800 | 240 | 240 | 550 | 350 | 580 |
| WB0660-A | 600 | 55000 | 1650 | 235 | 235 | 600 | 330 | 630 |
| WB0660-B | 600 | 55000 | 1650 | 265 | 265 | 600 | 385 | 630 |
| WB0665-A | 650 | 65000 | 1500 | 250 | 250 | 650 | 350 | 680 |
| WB0665-B | 650 | 65000 | 1500 | 265 | 265 | 650 | 385 | 680 |
| WB0670-A | 700 | 90000 | 1400 | 260 | 260 | 700 | 370 | 740 |
| WB0670-B | 700 | 90000 | 1400 | 310 | 310 | 700 | 450 | 740 |
| WB0680-A | 800 | 120000 | 1200 | 320 | 320 | 800 | 450 | 840 |
| WB0680-B | 800 | 120000 | 1200 | 340 | 340 | 800 | 490 | 840 |
| WB0690-A | 900 | 180000 | 1100 | 340 | 340 | 900 | 480 | 940 |
| WB0690-B | 900 | 180000 | 1100 | 400 | 400 | 900 | 590 | 940 |

To continue see next page

Elastomer Jaw Couplings RINGFEDER® TNB BHDD

| Identifier | Size | C ₁ | L | L ₂ | L _{DD} | E | G _{wa} ¹⁾ | G _{wub} |
|------------|------|----------------|------|----------------|-----------------|----|-------------------------------|------------------|
| | | mm | mm | mm | mm | mm | kg | kg |
| WB0624-A | 240 | 130 | 360 | 113 | 104 | 10 | 30 | 58 |
| WB0624-B | 240 | 150 | 400 | 133 | 104 | 10 | 35 | 68 |
| WB0630-A | 300 | 160 | 438 | 139 | 124 | 10 | 56 | 109 |
| WB0630-B | 300 | 186 | 490 | 165 | 124 | 10 | 71 | 140 |
| WB0635-A | 350 | 180 | 478 | 159 | 124 | 10 | 72 | 139 |
| WB0635-B | 350 | 231 | 580 | 210 | 124 | 10 | 121 | 238 |
| WB0640-A | 400 | 190 | 512 | 167 | 138 | 10 | 104 | 203 |
| WB0640-B | 400 | 239 | 610 | 216 | 138 | 10 | 163 | 321 |
| WB0645-A | 450 | 200 | 532 | 177 | 138 | 10 | 136 | 266 |
| WB0645-B | 450 | 239 | 610 | 216 | 138 | 10 | 187 | 386 |
| WB0650-A | 500 | 228 | 608 | 199 | 160 | 14 | 195 | 380 |
| WB0650-B | 500 | 279 | 710 | 250 | 160 | 14 | 273 | 536 |
| WB0655-A | 550 | 228 | 608 | 199 | 160 | 14 | 219 | 427 |
| WB0655-B | 550 | 279 | 710 | 250 | 160 | 14 | 312 | 613 |
| WB0660-A | 600 | 258 | 678 | 229 | 170 | 14 | 303 | 595 |
| WB0660-B | 600 | 299 | 760 | 270 | 170 | 14 | 396 | 782 |
| WB0665-A | 650 | 258 | 688 | 225 | 182 | 14 | 350 | 688 |
| WB0665-B | 650 | 299 | 770 | 266 | 182 | 14 | 422 | 832 |
| WB0670-A | 700 | 298 | 786 | 263 | 200 | 14 | 467 | 914 |
| WB0670-B | 700 | 345 | 880 | 310 | 200 | 14 | 631 | 1241 |
| WB0680-A | 800 | 338 | 866 | 303 | 200 | 14 | 686 | 1350 |
| WB0680-B | 800 | 365 | 920 | 330 | 200 | 14 | 796 | 1570 |
| WB0690-A | 900 | 338 | 878 | 297 | 214 | 14 | 811 | 1601 |
| WB0690-B | 900 | 399 | 1000 | 358 | 214 | 14 | 1158 | 2295 |

¹⁾ Mass information for unbored coupling parts

To continue see next page

²⁾ Attention on peak load. See chapter „Elastomer Jaw Couplings RINGFEDER® TNB Basic information“ in Product Paper & Tech Paper „RINGFEDER® Elastomer Jaw Couplings“

Elastomer Jaw Couplings RINGFEDER® TNB BHDD

Explanation

| | | |
|---|--|---|
| T_{KN} = Nom. Transmissible torque | D₁ = Outer diameter | L_{DD} = Distance dimension |
| n_{max} = Max. rotation speed | D₂ = Outer diameter hub | E = Gap width between left and right component |
| d_{1kmax} = Max. bore diameter d ₁ with keyway acc. to DIN 6885-1 | D₆ = Diameter | G_{wa} = Weight of subassembly a |
| d_{2kmax} = Max. bore diameter d ₂ with keyway acc. to DIN 6885-1 | C₁ = Guided length in hub bore | G_{wub} = Weight, unbored |
| | L = Total length | |
| | L₂ = Length on the hub | |

Ordering example

| Identifier | Size | d _{1k} | d _{2k} | Buffer identifier (optional) ³⁾ | Further details |
|------------|------|-----------------|-----------------|--|-----------------|
| WB0640-A | 400 | 140 | 120 | Pb82 | * |

³⁾ If a different buffer shore hardness is selected, the values from the corresponding table must be taken into account. See chapter „Elastomer Jaw Couplings RINGFEDER® TNB Basic information“ in Product Paper & Tech Paper „RINGFEDER® Elastomer Jaw Couplings“

¹⁾ Without any other specification, we deliver as a standard: with set screws and keyway acc. to DIN 6885-1, keyway side fit P9, bore tolerance H7

Further information on
RINGFEDER® TNB BHDD
 on www.ringfeder.com

Disclaimer of liability

All technical details and notes are non-binding and cannot be used as a basis for legal claims. The user is obligated to determine whether the represented products meet his requirements. We reserve the right carry out modifications at any time in the interests of technical progress.