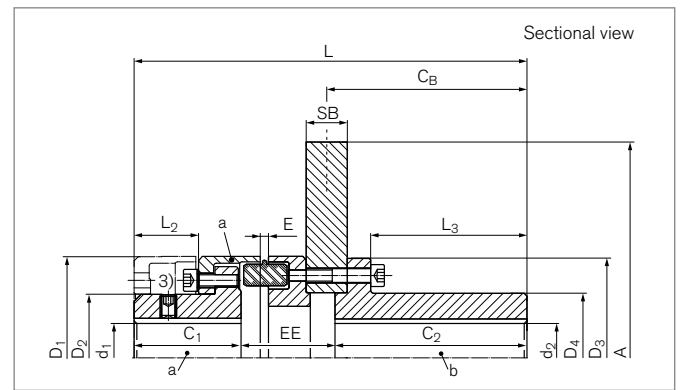


# Elastomer Jaw Couplings

## RINGFEDER® TNM GHBS

With brake disc in steel, multi-part design, to change the intermediate ring and the brake disc without axial movement of the driven parts



Identifier	Size	A	SB	$T_{KNPb72}^{2)}$	$T_{KNPb82}^{2)}$	$T_{BR}^{4)}$	$n_{max}$	$d_{1kmax}$	$d_{2kmax}$	$D_1$	$D_2$	$D_3$	$D_4$	$C_1$	$C_2$
		mm	mm	Nm	Nm	Nm	1/min	mm	mm	mm	mm	mm	mm	mm	mm
WN1514-315	148	315	30	390	600	1000	4500	65	65	148	92,5	145	94	78	140
WN1516-355	168	355	30	630	980	1600	4000	75	80	168	104,5	168	115	87	140
WN1516-400	168	400	30	630	980	1600	4000	75	80	168	104,5	168	115	87	140
WN1516-450	168	450	30	630	980	1600	3750	75	80	168	104,5	168	115	87	140
WN1519-400	194	400	30	1050	1650	2750	3500	85	95	194	121,5	194	135	97	140
WN1519-560	194	560	30	1050	1650	2750	3000	85	95	194	121,5	194	135	97	140
WN1524-450	240	450	30	2400	3700	4200	2750	100	115	240	146	225	165	117	140
WN1524-560	240	560	30	2400	3700	4200	2750	100	115	240	146	225	165	117	140
WN1524-630	240	630	30	2400	3700	4200	2750	100	115	240	146	225	165	117	140
WN1526-500	265	500	30	3700	5800	8700	2500	115	135	265	164	265	195	137	140
WN1526-560	265	560	30	3700	5800	8700	2500	115	135	265	164	265	195	137	140
WN1526-710	265	710	30	3700	5800	8700	2400	115	135	265	164	265	195	137	140
WN1529-630	295	630	30	4900	7550	9800	2250	130	153	295	181	295	215	147	140
WN1529-710	295	710	30	4900	7550	9800	2250	130	153	295	181	295	215	147	140

To continue see next page

## Elastomer Jaw Couplings RINGFEDER® TNM GHBS

Identifier	Size	C <sub>B</sub>	L	L <sub>2</sub>	L <sub>3</sub>	E	F <sub>E</sub>	EE	G <sub>wa</sub> <sup>1)</sup>	G <sub>Wub</sub>
		mm	mm	mm	mm	mm	mm	mm	kg	kg
WN1514-315	148	146	286,5	47	119	6	+/- 1,0	68,5	6,7	34
WN1516-355	168	146	304,5	52,5	116	6	+/- 1,5	77,5	9,7	46
WN1516-400	168	146	304,5	52,5	116	6	+/- 1,5	77,5	9,7	52
WN1516-450	168	146	304,5	52,5	116	6	+/- 1,5	77,5	9,7	60
WN1519-400	194	146	321,5	60	112	6	+/- 1,5	84,5	14,6	63
WN1519-560	194	146	321,5	60	112	6	+/- 1,5	84,5	14,6	91
WN1524-450	240	146	354	75,5	109,5	6,5	+/- 2,0	97	25,7	92
WN1524-560	240	146	354	75,5	109,5	6,5	+/- 2,0	97	25,7	113
WN1524-630	240	146	354	75,5	109,5	6,5	+/- 2,0	97	25,7	128
WN1526-500	265	146	381,5	88	107	7	+/- 2,0	104,5	37,8	125
WN1526-560	265	146	381,5	88	107	7	+/- 2,0	104,5	37,8	137
WN1526-710	265	146	381,5	88	107	7	+/- 2,0	104,5	37,8	172
WN1529-630	295	146	396,5	96	106	8	+/- 2,0	109,5	49,3	175
WN1529-710	295	146	396,5	96	106	8	+/- 2,0	109,5	49,3	194

<sup>1)</sup> Weight inclusive the half share of the intermediate ring

<sup>2)</sup> Attention on peak load – see chapter „RINGFEDER® TNM Basic information“ in Product Paper & Tech Paper „RINGFEDER® Elastomer Jaw Couplings“

<sup>3)</sup> Set screw on demand

<sup>4)</sup> Choose brake disc assembly in a way, that brake torque does not affect intermediate ring

### Explanation

<b>A</b> = Max. outer diameter	<b>d<sub>2kmax</sub></b> = Max. bore diameter d <sub>2</sub> with keyway acc. to DIN 6885-1	<b>L<sub>2</sub></b> = Length on the hub
<b>SB</b> = Disc width	<b>D<sub>1</sub></b> = Outer diameter	<b>L<sub>3</sub></b> = Length
<b>T<sub>KNPb72</sub></b> = Coupling nominal torque by using the elastic element Pb72	<b>D<sub>2</sub></b> = Outer diameter hub	<b>E</b> = Gap width between left and right component
<b>T<sub>KNPb82</sub></b> = Coupling nominal torque by using the elastic element Pb82	<b>D<sub>3</sub></b> = Outer diameter hub	<b>F<sub>E</sub></b> = Tolerance of the gap width E
<b>T<sub>BR</sub></b> = Brake torque	<b>D<sub>4</sub></b> = Outer diameter hub	<b>EE</b> = Distance of the hubs
<b>n<sub>max</sub></b> = Max. rotation speed	<b>C<sub>1</sub></b> = Guided length in hub bore	<b>G<sub>wa</sub></b> = Weight of subassembly a
<b>d<sub>1kmax</sub></b> = Max. bore diameter d <sub>1</sub> with keyway acc. to DIN 6885-1	<b>C<sub>2</sub></b> = Guided length in hub bore	<b>G<sub>Wub</sub></b> = Weight, unbored
	<b>C<sub>B</sub></b> = Brake disc distance	
	<b>L</b> = Total length	

### Ordering example

Identifier	Size	d <sub>1k</sub>	d <sub>2k</sub>	Buffer identifier (optional) <sup>5)</sup>	Further details
WN1519-560	194	80	62	Pb82	*

Further information on RINGFEDER® TNM GHBS on [www.ringfeder.com](http://www.ringfeder.com)

<sup>5)</sup> Details on elastomer materials see chapter „Introduction“ and „RINGFEDER® TNM Basic information“ in Product Paper & Tech Paper „RINGFEDER® Elastomer Jaw Couplings“

<sup>6)</sup> Without any other specification, we deliver as a standard: with set screws and keyway acc. to DIN 6885-1, keyway side fit P9, bore tolerance H7

#### Disclaimer of liability

All technical details and notes are non-binding and cannot be used as a basis for legal claims. The user is obligated to determine whether the represented products meet his requirements. We reserve the right carry out modifications at any time in the interests of technical progress.