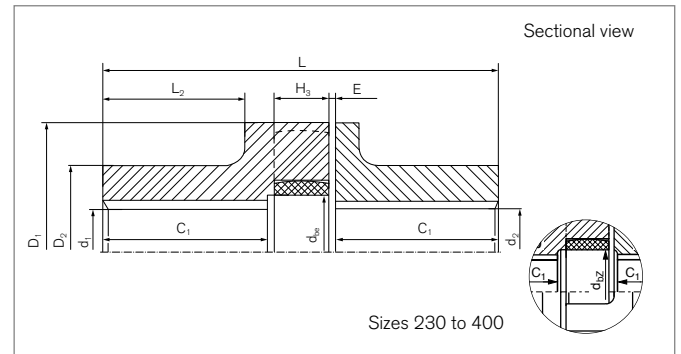
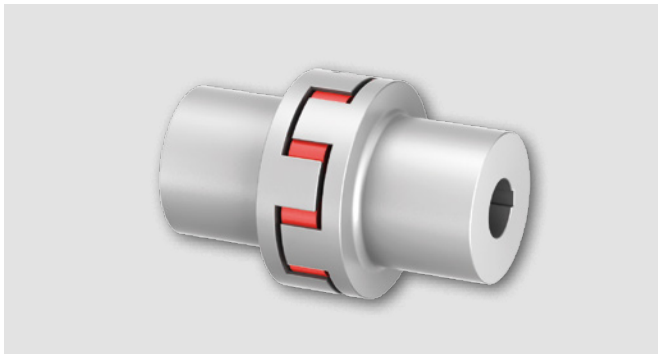


Elastomer Jaw Couplings

RINGFEDER® TNS S-LSt

Coupling with extended hubs



Identifier	Size	T _{KN}	T _{KNmax}	n _{max}	d _{1kmax}	d _{2kmax}	D ₁	D ₂	C ₁
		Nm	Nm	1/min	mm	mm	mm	mm	mm
WS0105-L	50	15	40	15000	25	25	50	42	40,5
WS0108-L	85	75	225	9000	40	40	85	60	80,5
WS0110-L	100	130	390	7250	42	42	105	65	80,5
WS0112-L	125	250	750	6000	55	55	126	85	110,5
WS0114-L	145	400	1200	5250	65	65	145	95	110,5
WS0117-L	170	630	1900	4500	85	85	170	120	140,5
WS0120-L	200	1100	3300	3750	95	95	200	135	140
WS0123-L	230	1700	5150	3250	105	105	230	150	170
WS0126-L	260	2650	7950	3000	125	125	260	180	170
WS0140-L	400	8900	26700	1900	160	160	400	225	183,5

Identifier	Size	L	L ₂	E	F _E	H ₃	d _{be}	G _{Wub}
		mm	mm	mm	mm	mm	mm	kg
WS0105-L	50	96	34	1,5	+ 1,0	12	19	1,0
WS0108-L	85	184	72	2,5	+ 2,0	18	38	4,3
WS0110-L	100	187	68,5	3	+ 2,0	20	42	5,8
WS0112-L	125	253	98	3,5	+ 2,5	25	54	12,3
WS0114-L	145	259	97	4	+ 2,5	30	66	16,1
WS0117-L	170	321	126	5	+ 3,0	30	90	29,6
WS0120-L	200	328	124	6	+ 3,0	35	100	39,6
WS0123-L	230	390	151	7	+ 3,5	35	115	59,0
WS0126-L	260	400	146	7	+ 4,0	45	150	85,3
WS0140-L	400	440	157	7,5	+ 4,0	55	250	173,0

For further information see chapter „Introduction“ as well as chapter „Elastomer Jaw Couplings RINGFEDER® TNS Basic information“ in the Product Paper & Tech Paper „RINGFEDER® Elastomer Jaw Couplings“

To continue see next page

Elastomer Jaw Couplings RINGFEDER® TNS S-LSt

Explanation

T_{KN} = Nom. Transmissible torque	D₁ = Outer diameter	F_E = Tolerance of the gap width E
T_{Kmax} = Max. transmissible torque of the coupling	D₂ = Outer diameter hub	H₃ = Length of damping module
n_{max} = Max. rotation speed	C₁ = Guided length in hub bore	d_{be} = Inner diameter elastic intermediate ring
d_{1kmax} = Max. bore diameter d ₁ with keyway acc. to DIN 6885-1	L = Total length	GW_{ub} = Weight, unbored
d_{2kmax} = Max. bore diameter d ₂ with keyway acc. to DIN 6885-1	L₂ = Length on the hub	
	E = Gap width between left and right component	

Ordering example

Identifier	Size	d _{1k}	d _{2k}	Further details
WS0117-L	170	85	85	*

^{*)}Without any other specification, we deliver as a standard: with set screws and keyway acc. to DIN 6885-1, keyway side fit P9, bore tolerance H7

Further information on
RINGFEDER® TNS S-LSt
 on www.ringfeder.com

Disclaimer of liability

All technical details and notes are non-binding and cannot be used as a basis for legal claims. The user is obligated to determine whether the represented products meet his requirements. We reserve the right carry out modifications at any time in the interests of technical progress.