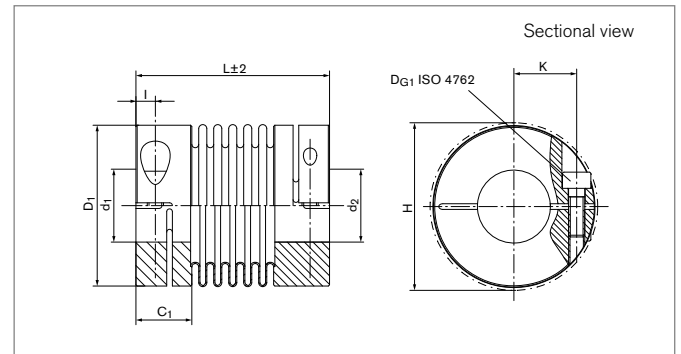


Metal Bellows Couplings

RINGFEDER® GWB EKN

Miniature metal bellows coupling with radial set screws



Size	L	d ₁ ;d ₂ min-max	d _{1k} ;d _{2k} min-max	C ₁	D ₁	I
	mm	mm	mm	mm	mm	mm
4	20	3 - 9	6 - 8	6	16	2
4	23	3 - 9	6 - 8	6	16	2
4	26	3 - 9	6 - 8	6	16	2
9	21	3 - 9	6 - 8	6	16	2
9	25	3 - 9	6 - 8	6	16	2
9	28	3 - 9	6 - 8	6	16	2
15	25	3 - 12	6 - 10	10	20	3
15	30	3 - 12	6 - 10	10	20	3
20	26	3 - 16	6 - 14	11	25	2
20	32	3 - 16	6 - 14	11	25	2
20	36	3 - 16	6 - 14	11	25	2
45	39	6 - 22	6 - 16	16	33	4
45	48	6 - 22	6 - 16	16	33	4
100	44	6 - 28	6 - 25	20	40	4
100	54	6 - 28	6 - 25	20	40	4

Transmission of the couplings transmissible torque T can not longer be guaranteed for certain with borings < d_{min}. Types with borings < d_{min}, however, can be supplied.

Moment of inertia and weight (mass) are calculated with reference to the largest bore size.

To continue see next page

Metal Bellows Couplings RINGFEDER® GWB EKN

Size	T	n _{max}	C _{Tdyn}	C _r	C _a	ΔK _a	ΔK _w	ΔK _r	J	D _{G1}	T _{A1}	G _w
	Nm	1/min	10 ³ Nm/rad	N/mm	N/mm	mm	degree	mm	10 ⁻³ kgm ²	mm	Nm	kg
4	0,5	15000	0,25	128	18	0,2	1,2	0,1	0,0002	1 x M3	0,5	0,005
4	0,5	15000	0,19	54	13	0,3	2,0	0,15	0,0002	1 x M3	0,5	0,006
4	0,5	15000	0,15	26	11	0,4	2,0	0,2	0,0002	1 x M3	0,5	0,007
9	1,1	15000	0,50	187	36	0,2	1,2	0,1	0,0002	1 x M3	0,5	0,006
9	1,1	15000	0,38	82	27	0,3	2,0	0,15	0,0002	1 x M3	0,5	0,007
9	1,1	15000	0,30	42	22	0,4	2,0	0,2	0,0003	1 x M3	0,5	0,008
15	1,75	15000	0,75	139	12	0,25	1,2	0,1	0,0008	2 x M4	1,5	0,012
15	1,75	15000	0,70	81	23	0,4	2,0	0,15	0,0008	2 x M4	1,5	0,014
20	2,4	15000	1,50	147	18	0,3	1,2	0,1	0,0014	2 x M3	1,5	0,016
20	2,4	15000	1,30	96	14	0,4	2,0	0,2	0,0016	2 x M3	1,5	0,018
20	2,4	15000	1,00	46	9	0,5	2,0	0,25	0,0017	2 x M3	1,5	0,020
45	5,5	15000	6,50	444	47	0,3	1,2	0,1	0,0068	2 x M6	3	0,048
45	5,5	15000	4,00	108	29	0,5	2,0	0,2	0,0073	2 x M6	3	0,052
100	12	15000	8,10	361	46	0,4	1,2	0,15	0,0200	2 x M6	3	0,048
100	12	15000	6,70	193	34	0,5	2,0	0,25	0,0220	2 x M6	3	0,058

Transmissible torque T [Nm]

Size	Ø3	Ø4	Ø5	Ø6	Ø7	Ø8	Ø9	Ø10	Ø11	Ø12	Ø13	Ø14	Ø15	Ø16	Ø17	Ø18	Ø20	Ø22	Ø24	Ø26	Ø28	
4	0,5	0,5	0,5	0,5	0,5	0,5	0,5	---	---	---	---	---	---	---	---	---	---	---	---	---	---	---
9	0,9	0,7	1,1	1,1	1,1	1,1	1,1	---	---	---	---	---	---	---	---	---	---	---	---	---	---	---
15	1,75	1,75	1,75	1,75	1,75	1,75	1,75	1,75	1,75	1,75	---	---	---	---	---	---	---	---	---	---	---	---
20	2,4	2,4	2,4	2,4	2,4	2,4	2,4	2,4	2,4	2,4	2,4	2,4	2,4	2,4	---	---	---	---	---	---	---	---
45	---	---	---	5,5	5,5	5,5	5,5	5,5	5,5	5,5	5,5	5,5	5,5	5,5	5,5	5,5	5,5	5,5	---	---	---	---
100	---	---	---	7,3	8,5	9,7	11	12	12	12	12	12	12	12	12	12	12	12	12	12	12	12

To continue see next page

Metal Bellows Couplings RINGFEDER® GWB EKN

Explanation

L	= Total length	I	= Distance between center screw hole and hub end	ΔK_r	= Max. permissible radial misalignment
d₁;d_{2min}	= Min. bore diameter d ₁ /d ₂	T	= Transmissible torque at given T _A	J	= Total moment of inertia
d₁;d_{2max}	= Max. bore diameter d ₁ /d ₂	n_{max}	= Max. rotation speed	n_{Sc1}	= Quantity of screws D _{G1}
d_{1k};d_{2kmin}	= Min. bore diameter d ₁ /d ₂ with keyway acc. to DIN 6885-1	C_{Tdyn}	= Dynamic torsional stiffness	D_{G1}	= Thread
d_{1k};d_{2kmax}	= Max. bore diameter d ₁ /d ₂ with keyway acc. to DIN 6885-1	C_r	= Radial spring stiffness	T_{A1}	= Tightened torque of clamping screw D _{G1}
C₁	= Guided length in hub bore	C_a	= Axial spring stiffness	Gw	= Weight
D₁	= Outer diameter	ΔK_a	= Max. permissible axial misalignment		
		ΔK_w	= Max. permissible angular misalignment		

Ordering example

Series/Size	Length	Bore diameter d ₁	Bore diameter d ₂	Further details
EKN 20	26	6	10	*

* Keyway

More information about
RINGFEDER® GWB EKN
 on www.ringfeder.com

Disclaimer of liability

All technical details and notes are non-binding and cannot be used as a basis for legal claims. The user is obligated to determine whether the represented products meet his requirements. We reserve the right carry out modifications at any time in the interests of technical progress.