

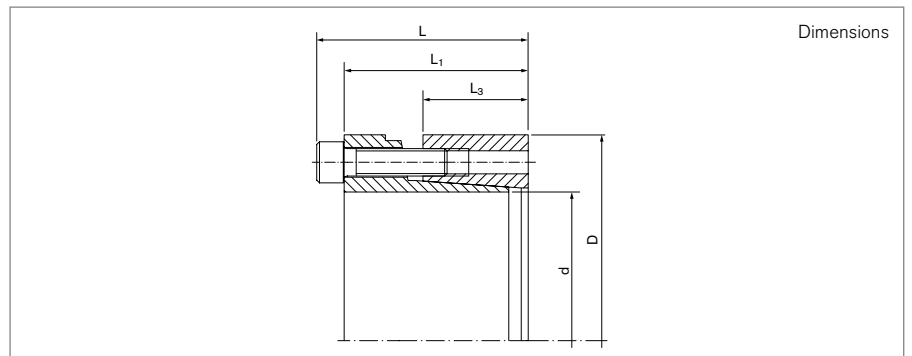
Locking Assemblies

RINGFEDER® RfN 7004

Extended version of the RfN 7003



self-centering without axial displacement with low surface pressure



Locking Assembly dimensions						Transmissible torques or axial forces		Surface pressure		Locking screws		
d	x	D	L	L ₁	L ₃	T	F _{ax}	Shaft PW	Hub PN	n _{Sc}	D _G	T _A
mm			mm			Nm	kN	N/mm ²				Nm
19	x	47	45	39	26	530	56	298	120	6	M6	17
20	x	47	45	39	26	550	56	283	120	6	M6	17
22	x	47	45	39	26	610	56	257	120	6	M6	17
24	x	50	45	39	26	660	56	236	115	6	M6	17
25	x	50	45	39	26	690	56	227	115	6	M6	17
28	x	55	45	39	26	770	56	202	105	6	M6	17
30	x	55	45	39	26	830	56	190	105	6	M6	17
32	x	60	45	39	26	1180	74	235	125	8	M6	17
35	x	60	45	39	26	1295	74	216	126	8	M6	17
38	x	65	45	39	26	1400	74	200	116	8	M6	17
40	x	65	45	39	26	1480	74	190	116	8	M6	17
42	x	75	55	47	30	2120	101	212	120	6	M8	41
45	x	75	55	47	30	2270	101	198	120	6	M8	41
48	x	80	55	47	30	3230	135	250	150	8	M8	41
50	x	80	55	47	30	3365	135	240	150	8	M8	41
55	x	85	55	47	30	3700	135	216	140	8	M8	41
60	x	90	55	47	30	4035	135	200	135	8	M8	41
65	x	95	55	47	30	4370	135	183	125	8	M8	41
70	x	110	72	62	40	7615	218	206	131	8	M10	83
75	x	115	72	62	40	8160	218	192	126	8	M10	83
80	x	120	72	62	40	8700	218	180	120	8	M10	83
85	x	125	72	62	40	11560	272	212	145	10	M10	83
90	x	130	72	62	40	12240	272	200	140	10	M10	83
95	x	135	72	62	40	12920	272	190	135	10	M10	83
100	x	145	89	77	46	16270	325	190	130	8	M12	145
110	x	155	89	77	46	17900	325	171	121	8	M12	145

To continue see next page

Locking Assemblies RINGFEDER® RfN 7004

Locking Assembly dimensions						Transmissible torques or axial forces		Surface pressure		Locking screws		
d	x	D	L	L ₁	L ₃	T	F _{ax}	Shaft p _w	Hub p _n	n _{sc}	D _G	T _A
mm			mm			Nm	kN	N/mm ²				Nm
120	x	165	89	77	46	24410	405	196	142	10	M12	145
130	x	180	89	77	46	31735	488	220	160	12	M12	145
140	x	190	98	84	51	35502	507	188	139	10	M14	210
150	x	200	98	84	51	45645	609	211	158	12	M14	210
160	x	210	98	84	51	48688	609	198	151	12	M14	210
170	x	225	98	84	51	60353	710	217	164	14	M14	210
180	x	235	98	84	51	63903	710	205	157	14	M14	210

More sizes on request

Explanation

d = Inner diameter	T = Transmissible torque at given T _A	n_{sc} = Quantity of screws
D = Outer diameter	F_{ax} = Transmissible axial force	D_G = Thread
L = Overall length	p_w = Surface pressure on shaft at given T _A	T_A = Tightening torque of the clamping screws
L₁ = Overall length (without screws)	p_n = Surface pressure on hub at given T _A	
L₃ = Width of ring		

Ordering example

Locking assembly	d	D
RfN 7004	55	85

Technical Information

- Surface finishes: Shaft and hub bores R_a ≤ 1,6 μm
- Tolerances: Shaft: h8 · Hub: H8

Further information on
RINGFEDER® RfN 7004
 on www.ringfeder.com

Disclaimer of liability

All technical details and notes are non-binding and cannot be used as a basis for legal claims. The user is obligated to determine whether the represented products meet his requirements. We reserve the right carry out modifications at any time in the interests of technical progress.