

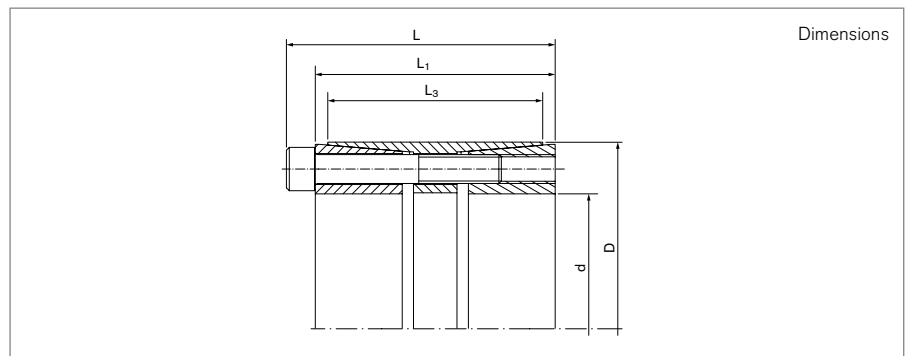
Locking Assemblies

RINGFEDER® RfN 7005

Three piece self-centering design for heavy duty torques



self-centering	without axial displacement	with low surface pressure
----------------	----------------------------	---------------------------



Locking Assembly dimensions						Transmissible torques or axial forces		Surface pressure		Locking screws			
d	x	D	L	L ₁	L ₃	T	F _{ax}	Shaft p _w	Hub p _N	n _{Sc}	D _G	T _A	G _w
mm			mm			Nm	kN	N/mm ²				Nm	kg
25	x	55	46	40	32	649	64	155	80	6	M6	17	0,5
28	x	55	46	40	32	875	64	250	95	6	M6	17	0,5
30	x	55	46	40	32	950	64	235	95	6	M6	17	0,5
35	x	60	60	54	44	1300	74	165	75	7	M6	17	0,7
38	x	65	61	55	45	1600	84	165	95	8	M6	17	1,1
40	x	65	61	55	45	1680	84	155	95	8	M6	17	1,1
42	x	75	62	54	44	2800	135	250	110	7	M8	41	1,2
45	x	75	62	54	44	3050	135	235	110	7	M8	41	1,1
48	x	80	74	66	56	3700	155	195	90	8	M8	41	1,5
50	x	80	74	66	56	3950	155	185	90	8	M8	41	1,4
55	x	85	74	66	56	4900	174	190	100	9	M8	41	1,5
60	x	90	74	66	56	5900	193	195	100	10	M8	41	1,6
65	x	95	74	66	56	6450	193	180	95	10	M8	41	1,7
70	x	110	90	80	70	10950	313	210	110	10	M10	83	3,1
75	x	115	90	80	70	11700	313	200	105	10	M10	83	3,3
80	x	120	90	80	70	13750	344	205	110	11	M10	83	3,5
85	x	125	90	80	70	16000	375	210	115	12	M10	83	3,6
90	x	130	90	80	70	16900	375	200	110	12	M10	83	3,8
95	x	135	90	80	70	17820	375	185	105	12	M10	83	4
100	x	145	114	102	90	25725	514	195	105	11	M12	145	6,1
110	x	155	114	102	90	30850	561	195	110	12	M12	145	6,6
120	x	165	114	102	90	39275	655	210	115	14	M12	145	7,1
130	x	180	130	116	104	50300	774	190	110	12	M14	230	10

To continue see next page

Locking Assemblies RINGFEDER® RfN 7005

Locking Assembly dimensions						Transmissible torques or axial forces		Surface pressure		Locking screws			
d	x	D	L	L ₁	L ₃	T	F _{ax}	Shaft P _W	Hub P _N	n _{Sc}	D _G	T _A	G _w
mm			mm			Nm	kN	N/mm ²				Nm	kg
140	x	190	130	116	104	63200	903	205	120	14	M14	230	10,6
150	x	200	130	116	104	72550	967	205	125	15	M14	230	11,2
160	x	210	130	116	104	82550	1032	205	125	16	M14	230	11,9
170	x	225	165	149	134	103800	1221	170	110	14	M16	360	17,6
180	x	235	165	149	134	117800	1308	175	110	15	M16	360	18,5
190	x	250	165	149	134	132600	1395	180	110	16	M16	360	21,4
200	x	260	165	149	134	140000	1400	170	110	16	M16	360	22,4
220	x	285	166	150	134	173000	1570	170	110	18	M16	360	26,6
240	x	305	162	146	134	218000	1820	185	120	20	M16	360	28,7
260	x	325	162	146	134	250000	1920	180	120	21	M16	360	31,2
280	x	355	197	177	165	360000	2550	185	120	18	M20	690	46,8
300	x	375	197	177	165	428000	2850	190	125	20	M20	690	49,7
320	x	405	197	177	165	480000	3000	190	120	21	M20	690	60,5
340	x	425	197	177	165	534000	3140	185	120	22	M20	690	63,9
360	x	455	224	202	190	670000	3730	175	115	21	M22	930	86,8
380	x	475	224	202	190	742000	3900	175	115	22	M22	930	91
400	x	495	224	202	190	852000	4260	180	120	24	M22	930	97
420	x	515	224	202	190	894000	4260	175	115	24	M22	930	100
440	x	535	224	202	190	937000	4260	165	110	24	M22	930	105
460	x	555	224	202	190	980000	4260	160	110	24	M22	930	109
480	x	575	224	202	190	1200000	5000	175	120	28	M22	930	114
500	x	595	224	202	190	1240000	5000	170	120	28	M22	930	119
520	x	615	224	202	190	1390000	5330	175	120	30	M22	930	122,5
540	x	635	224	202	190	1440000	5330	170	120	30	M22	930	128
560	x	655	224	202	190	1590000	5680	170	120	32	M22	930	131
580	x	675	224	202	190	1705000	5680	170	120	32	M22	930	138
600	x	695	224	202	190	1760000	5860	170	120	33	M22	930	139

More sizes on request
To continue see next page

Locking Assemblies RINGFEDER® RfN 7005

Explanation

d = Inner diameter	T = Transmissible torque at given T_A	D_G = Thread
D = Outer diameter	F_{ax} = Transmissible axial force	T_A = Max tightened torque of the clamping screws
L = Overall length	p_w = Surface pressure on shaft at given T_A	G_w = Weight
L₁ = Overall length (without screws)	p_N = Surface pressure on hub at given T_A	
L₃ = Width of ring	n_{Sc} = Quantity of screws	

Ordering example

Locking assembly	d	D
RfN 7005	35	60

Technical Information

- Surface finishes: Shaft and hub bores $R_a \leq 1,6 \mu\text{m}$
- Tolerances: Shaft: h8 · Hub: H8

Further information on
RINGFEDER® RfN 7005
 on www.ringfeder.com

Disclaimer of liability

All technical details and notes are non-binding and cannot be used as a basis for legal claims. The user is obligated to determine whether the represented products meet his requirements. We reserve the right carry out modifications at any time in the interests of technical progress.