

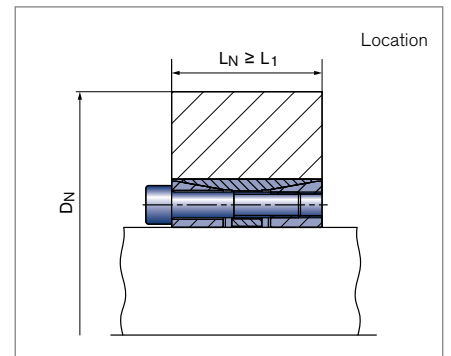
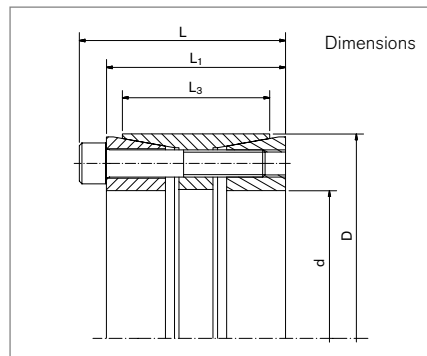
Locking Assemblies

RINGFEDER® RfN 7515

Three piece Locking Assembly



self-centering without axial displacement with low surface pressure



Locking Assembly dimensions						Transmissible torques or axial forces		Surface pressure		Locking screws				
d	d	x	D	L	L ₁	L ₃	T	F _{ax}	Shaft PW	Hub PN	n _{Sc}	D _G	T _A	Gw
inch	inch	inch	inch	inch	inch	inch	ft-lbs	lbs	psi				ft-lbs	lbs
2.750	2 3/4	x	4.331	2.756	2.362	1.969	5400	46600	28600	18200	8	M10	61	6.0
2.875	2 7/8	x	4.528	2.756	2.362	1.969	6100	50400	29500	19900	9	M10	61	6.0
2.938	2 15/16	x	4.528	2.756	2.362	1.969	6500	52200	29900	19900	9	M10	61	6.0
3.000	3	x	4.724	2.756	2.362	1.969	6800	54000	30400	20900	10	M10	61	6.0
3.125	3 1/8	x	4.724	2.756	2.362	1.969	7600	57800	31200	20900	10	M10	61	6.0
3.250	3 1/4	x	4.724	2.756	2.362	1.969	8200	60100	31200	20900	10	M10	61	6.2
3.438	3 7/16	x	5.118	2.756	2.362	1.969	9100	62800	30800	21200	11	M10	61	6.4
3.500	3 1/2	x	5.118	2.756	2.362	1.969	9300	63700	30800	21200	11	M10	61	6.4
3.938	3 15/16	x	5.709	3.228	2.756	2.362	14000	85000	30400	20900	10	M12	107	9.5
4.000	4	x	5.709	3.228	2.756	2.362	14200	85000	29900	20900	10	M12	107	9.7
4.375	4 3/8	x	6.102	3.228	2.756	2.362	15700	85900	27600	19600	10	M12	107	10.4
4.438	4 7/16	x	6.496	3.228	2.756	2.362	16200	87300	27600	20200	11	M12	107	10.6
4.500	4 1/2	x	6.496	3.228	2.756	2.362	16700	88600	27600	20200	11	M12	107	10.6
4.750	4 3/4	x	6.496	3.228	2.756	2.362	18900	94900	27900	20200	11	M12	107	11.2
4.938	4 15/16	x	7.087	3.583	3.110	2.559	22200	107300	29100	21800	14	M12	107	13.0
5.000	5	x	7.087	3.583	3.110	2.559	23300	111300	29300	21800	14	M12	107	13.2
5.438	5 7/16	x	7.480	3.583	3.110	2.559	28600	125700	29900	22100	15	M12	107	15.2
5.500	5 1/2	x	7.480	3.583	3.110	2.559	29200	127100	29900	22100	15	M12	107	15.4
5.938	5 15/16	x	7.874	3.583	3.110	2.559	31700	128000	28000	20900	15	M12	107	15.9
6.000	6	x	8.268	3.583	3.110	2.559	32400	129300	28000	21400	16	M12	107	16.1
6.438	6 7/16	x	8.858	4.173	3.622	3.071	40200	149300	28200	21400	15	M14	170	19.8
6.500	6 1/2	x	8.858	4.173	3.622	3.071	42300	155400	28200	21400	15	M14	170	20.9

To continue see next page

Locking Assemblies RINGFEDER® RfN 7515

Locking Assembly dimensions						Transmissible torques or axial forces		Surface pressure		Locking screws				
d	d	x	D	L	L ₁	L ₃	T	F _{ax}	Shaft p _w	Hub p _N	n _{Sc}	D _G	T _A	G _w
inch	inch			inch			ft-lbs	lbs	psi				ft-lbs	lbs
6.938	6 15/16	x	9.252	4.173	3.622	3.071	50400	174100	27500	20500	15	M14	170	25.1
7.000	7	x	9.252	4.173	3.622	3.071	50800	174100	27200	20500	15	M14	170	25.4
7.250	7 1/4	x	9.843	4.567	4.016	3.465	54100	179000	25700	18200	16	M14	170	28.4
7.438	7 7/16	x	9.843	4.567	4.016	3.465	57200	184400	24300	18200	16	M14	170	32.0
7.500	7 1/2	x	9.843	4.567	4.016	3.465	58400	186900	24100	18200	16	M14	170	32.6
7.938	7 15/16	x	10.236	4.567	4.016	3.465	70000	211400	25600	19600	18	M14	170	34.8

More sizes on request

Explanations

d = Inner diameter (decimal notation)	T = Transmissible torque at given T _A	T_A = Tightening torque of the clamping screws
d = Inner diameter	F_{ax} = Transmissible axial force	G_w = Weight
D = Outer diameter	p_w = Surface pressure on shaft at given T _A	
L = Overall length	p_N = Surface pressure on hub at given T _A	
L₁ = Overall length (without screws)	n_{Sc} = Quantity of screws	
L₃ = Width of ring	D_G = Thread	

Ordering example

Locking Assembly	d	D
RfN 7515	5.938	7.874

Technical Information

- The values for T, F_{ax}, p_w and p_N apply to Locking Assemblies installed in oiled condition.
- Surface finishes: Shaft bore R_a ≤ 1,6 μm · Hub bore R_a ≤ 3,2 μm
- Tolerances: Shaft: h8 · Hub: H8
- The outside diameter of the hub is calculated with factor C3 = 0.6. (see chapter „Calculation“ in Product Paper & Tech Paper „RINGFEDER® Locking Assemblies“).
- A reduction of the contact pressures and the transmission values by reducing the tightening torque of the screws is possible. Please contact our specialists for assistance.

Further information on
RINGFEDER® RfN 7515
 on www.ringfeder.com

Disclaimer of liability

All technical details and notes are non-binding and cannot be used as a basis for legal claims. The user is obligated to determine whether the represented products meet his requirements. We reserve the right carry out modifications at any time in the interests of technical progress.